

Combination

Encoder with integrated centrifugal switch

Solid shaft with EURO flange B10

300...5000 pulses per revolution

POG 10 + FSL



POG 10 + FSL

Features

- TTL output driver for cable length up to 500 m
- Mechanical speed monitoring based on centrifugal force
- EURO-flange B10 / solid shaft $\varnothing 11$ mm
- Terminal boxes, turn by 180°

Optional

- Function control with EMS (Enhanced Monitoring System)
- Redundant sensing with two terminal boxes
- Housing foot (B3)
- With heating up to -50°C

Technical data - electrical ratings

Interference immunity	EN 61000-6-2
Emitted interference	EN 61000-6-3
Approval	CE

Technical data - electrical ratings (encoder)

Voltage supply	9...30 VDC 5 VDC ± 5 %
Consumption w/o load	≤ 100 mA
Pulses per revolution	300...5000
Phase shift	90° ± 20 °
Scan ratio	40...60 %
Reference signal	Zero pulse, width 90°
Output frequency	≤ 120 kHz ≤ 300 kHz (on request)
Output signals	K1, K2, K0 + inverted Error output (only EMS)
Output stages	HTL-P (power linedriver) TTL/RS422
Sensing method	Optical

Technical data - electrical ratings (centrifugal switch)

Switching accuracy	± 4 % ($\Delta n = 2$ rpm/s); $\leq +20$ % ($\Delta n = 1500$ rpm/s)
Switching deviation cw-ccw rotation	≤ 3 %
Switching hysteresis	≈ 40 % of switching speed
Switching outputs	1 output, speed control
Output switching capacity	≤ 6 A / 230 VAC ≤ 1 A / 125 VDC
Minimum switching current	50 mA

Technical data - mechanical design

Size (flange)	$\varnothing 115$ mm
Shaft type	$\varnothing 11$ mm solid shaft
Shaft loading	≤ 300 N axial ≤ 450 N radial
Flange	EURO flange B10
Protection DIN EN 60529	IP 66
Speed (n)	$\leq 1.25 \cdot ns$
Range of switching speed (ns)	850...4500 rpm ($\Delta n = 2$ rpm/s)
Operating torque typ.	3 Ncm
Rotor moment of inertia	220 gcm ²
Materials	Housing: aluminium die-cast Shaft: stainless steel
Operating temperature	-40...+100 °C -25...+100 °C (>3072 pulses per revolution) -50...+100 °C (optional)
Resistance	IEC 60068-2-6 Vibration 10 g, 10-2000 Hz IEC 60068-2-27 Shock 100 g, 6 ms
Connection	2x terminal box 3x terminal box (with option M)
Weight approx.	2.3 kg, 2.5 kg (with option M)

Combination

Encoder with integrated centrifugal switch

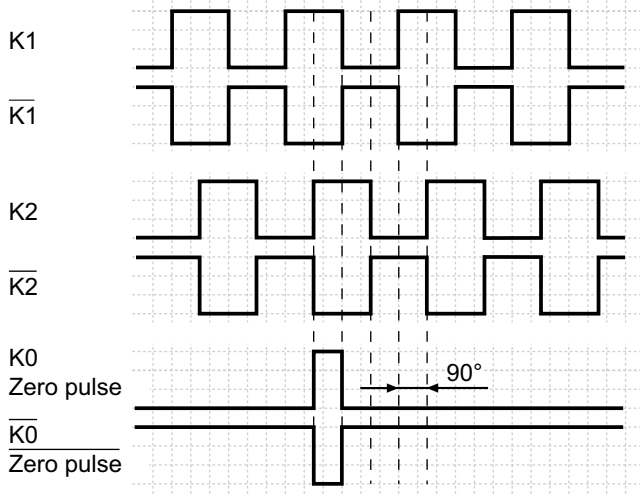
Solid shaft with EURO flange B10

300...5000 pulses per revolution

POG 10 + FSL

Output signals

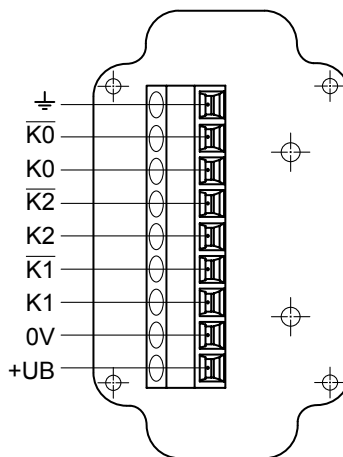
At positive rotating direction



Terminal assignment

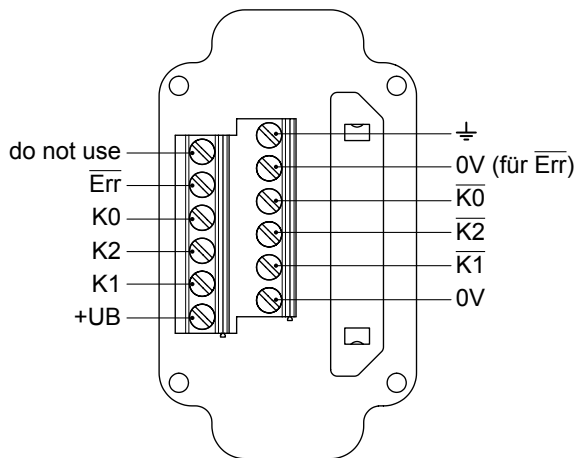
View A

Connecting terminal in terminal box POG 10



Option EMS: View A

Connecting terminal in terminal box POG 10.2



Option EMS: LED status / Error output

Flash light red*	Error of signal sequence, zero pulse or pulses (Error output = HIGH-LOW alternation)
Red	Overload output driver (Error output = LOW)
Flash light green	Encoder o.k., rotating (Error output = HIGH)
Green	Encoder o.k., stopped (Error output = HIGH)
No light	No output voltage connection or wrong connection (Error output = LOW)

* Only at rotating encoder

Accessories

Connectors and cables

HEK 8 Sensor cable for encoders

Mounting accessories

K 35 Spring washer coupling for solid shaft $\varnothing 6...12$ mm

K 50 Spring washer coupling for solid shaft $\varnothing 11...16$ mm

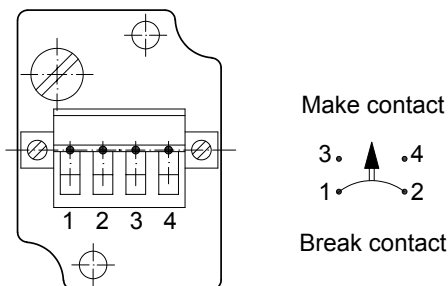
K 60 Spring washer coupling for solid shaft $\varnothing 11...22$ mm

Diagnostic accessories

HENQ 1100 Analyzer for encoders

View B

Connecting terminal mechanical centrifugal switch FSL



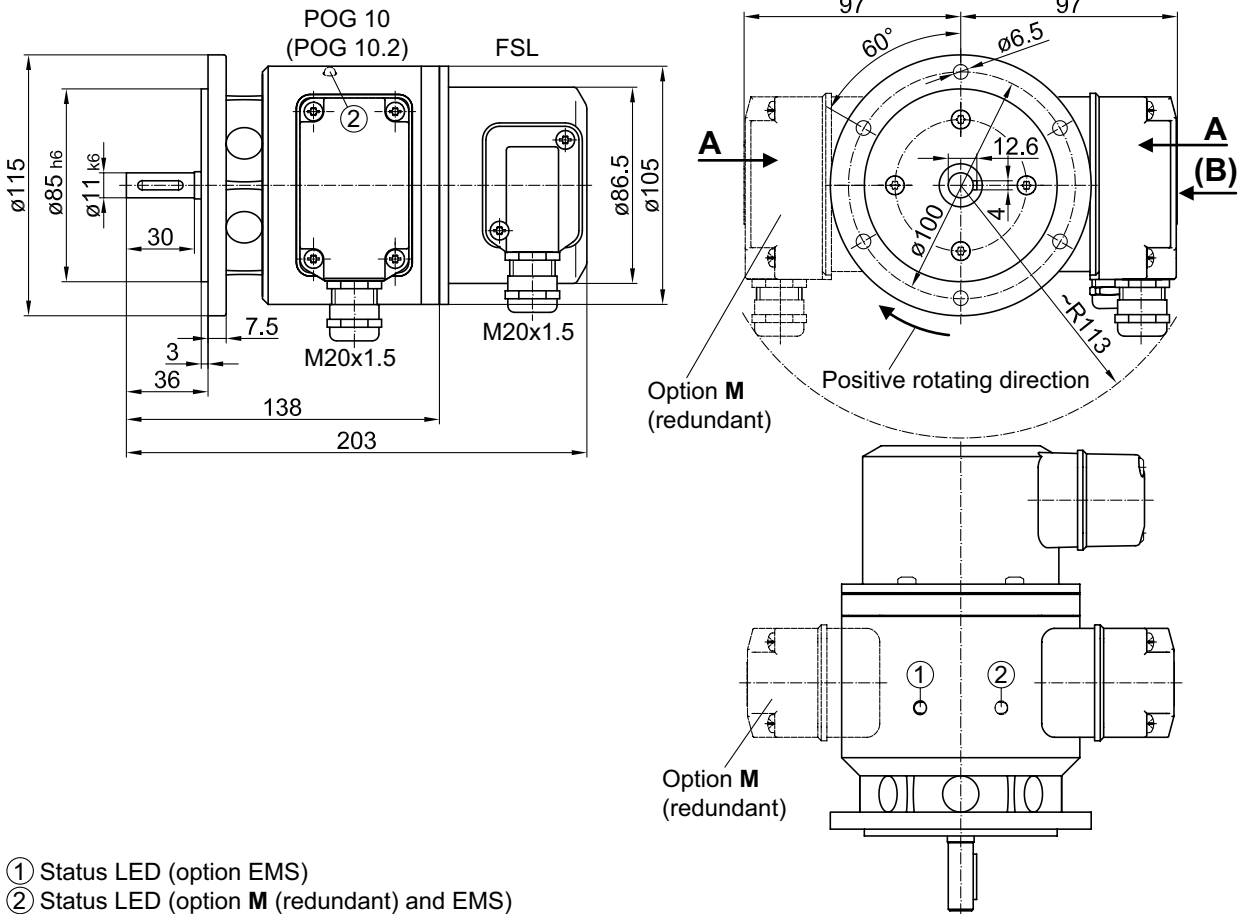
Combination

Encoder with integrated centrifugal switch
Solid shaft with EURO flange B10
300...5000 pulses per revolution

POG 10 + FSL

Dimensions

POG 10 + FSL (POG 10.2 + FSL, POG 10 M + FSL, POG 10.2 M + FSL) - Version with B10 Euro flange



POG 10 + FSL - Version with housing foot

